

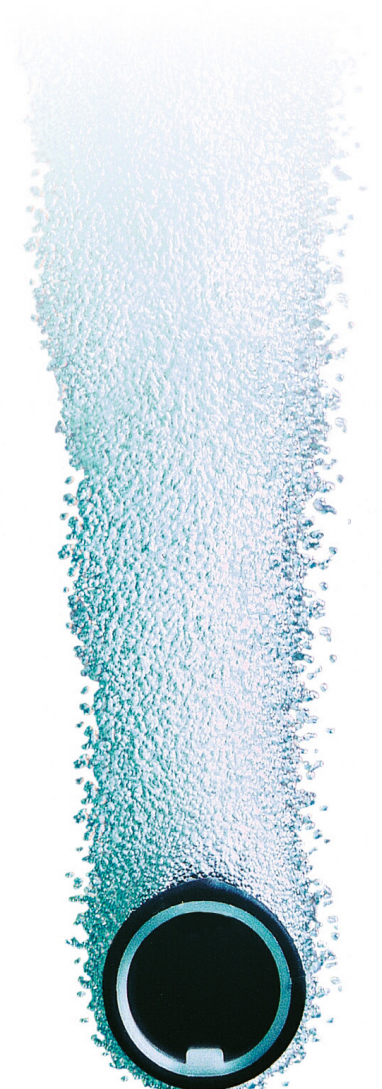
Oxygen Transfer Technology

Efficiency by Design

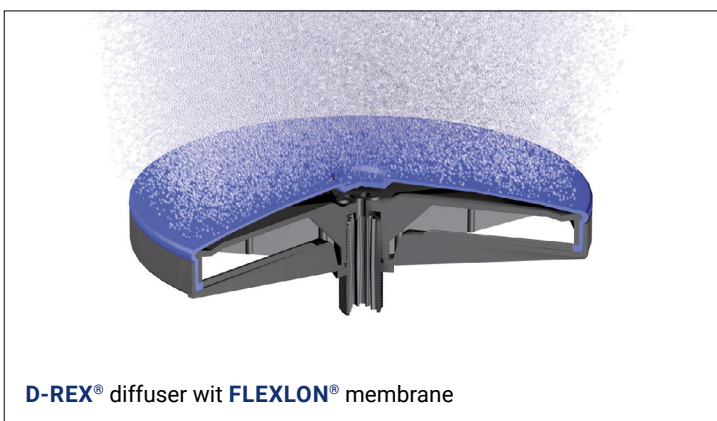
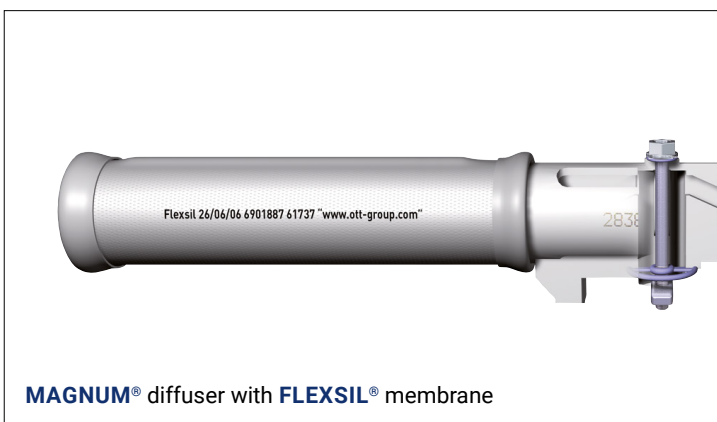
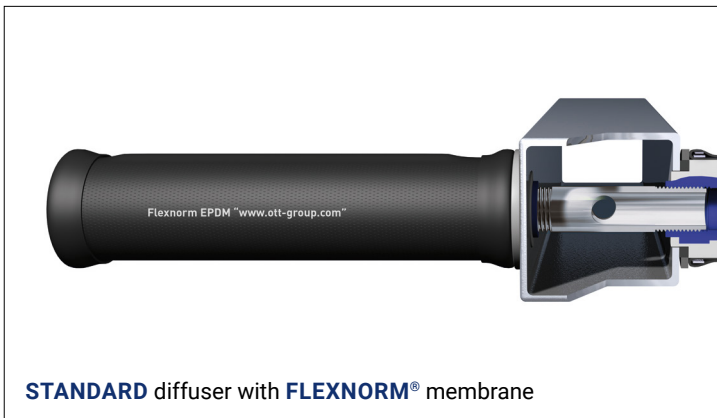


OTT GROUP

OTT Membranes



OTT Membranes: Highest Quality Since 1986



At OTT, we are convinced that the performance, economics and service life of a wastewater aeration system are determined primarily by the quality of its membranes.

We therefore manufacture our membranes with strict in-process quality control, closely monitoring characteristics such as pressure drop, physical properties and bubble-pattern uniformity.

Customers use our diffuser membranes in highly diverse applications. These include conventional municipal and industrial activated basins, MBR and fixed-bed systems as well as aquaculture facilities. Accordingly, OTT membranes are available in various materials: EPDM (**FLEXNORM**®) and silicone (**FLEXSIL**®) tubular membranes as well as EPDM (**FLEXNORM**®) and proprietary elastomer (**FLEXLON**®) disc membranes.

We believe that these 3 membrane materials provide the basis for solutions for 95 % of all wastewater aeration applications. We will gladly assist you in selecting the best membrane for your specific application – i.e. the material providing the optimum balance between performance, reliability and investment cost.



OTT Membrane Materials



FLEXNORM® – the bioresistant workhorse

FLEXNORM® membranes are recommended for aeration of municipal wastewaters. They are formulated with a biologically resistant plasticizer which reduces shrinkage and age-related stiffening.

Their high-quality formulation ensures long service life even at air temperatures up to 80°C (176°F).

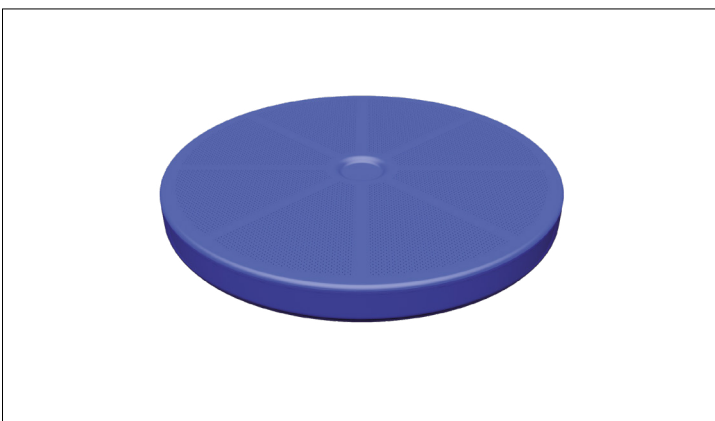


FLEXSIL® – efficient and durable

FLEXSIL® membranes are recommended for use with challenging wastewaters and in aeration systems designed for maximum efficiency and service life.

They are well suited for applications in deep basins, with heavily polluted wastewaters and/or at temperatures up to 140°C (284°F).

This membrane is not subject to age-related stiffening and exhibits outstanding chemical resistance to a wide range of chemicals, oils and greases.



FLEXLON® – for long disc diffuser service life

FLEXLON® membranes are recommended for use in aeration of industrial wastewaters and in processes with air temperatures up to 110°C (230°F).

This proprietary OTT material shows outstanding resistance to oils and greases and provides smooth and reliable operation in industrial and municipal wastewaters.

OTT Membranes: Efficiency by Design



OTT's **FLEXNORM**[®] and **FLEXSIL**[®] tubular membranes are available in standard versions for 63 mm (2.48") O.D. diffusers in any required length.

They are available with any desired surface printing (your corporate logo, etc.).

FLEXSIL[®] tubular membranes are also available in all colours in accordance with RAL and other colour standards.

FLEXLON[®] disc membranes are made to your specifications in the colours and with surface printing as desired.



Member of
**German Water
Partnership**

info@ott-group.com
www.ott-group.com

