

# The AirRex® Air Header System

Our answer to rising stainless steel prices

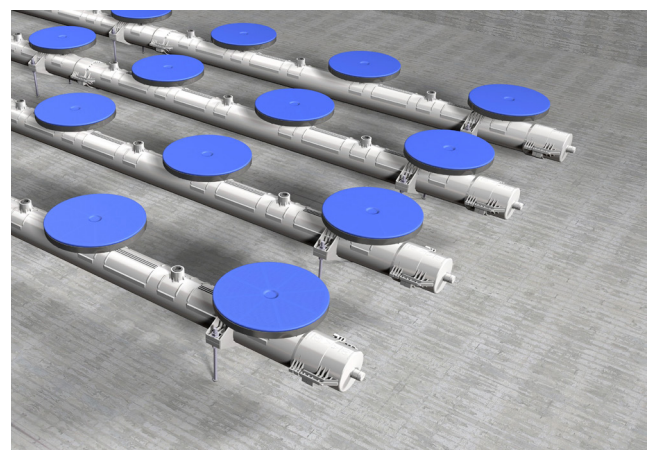
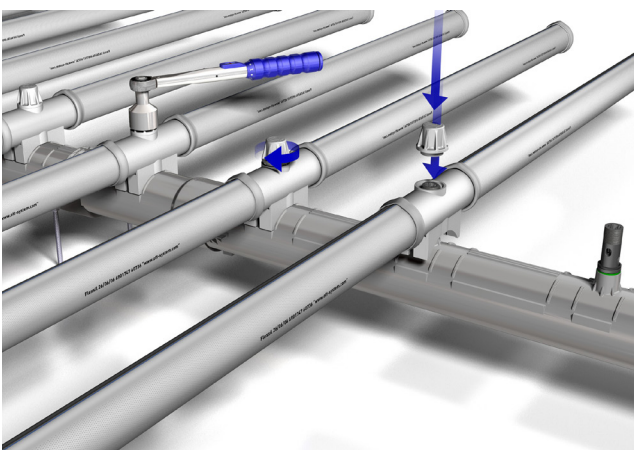


OTT GROUP

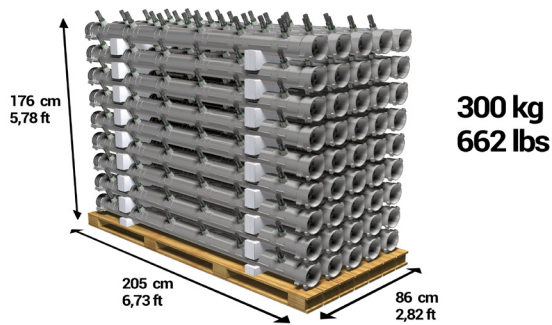


AirRex® is a robust, modular air header system that delivers the long lifecycle of stainless steel at a fraction of the cost. The molded header tubes and support clamps incorporate design features that prevent rotation of the header while allowing linear thermal expansion, and

future expansion of the system. Quarter-turn socket connections of individual modules permit assembly of header lengths up to 24 m / 78 ft. AirRex® systems come complete with mated support clamps and all required fastening materials.



## AirRex®: Our response to rising stainless steel prices



Das AirRex® air header system is stock goods and extremely fast deliverable. It is compact, safely packed, and has a great transportation benefit. The storage and the handling on the construction site are fast, easy, and safe due to the modular structure and the light weight per module. It is possible to deliver the AirRex® system by a pickup truck or air cargo. No truck-mounted cranes are necessary for loading.

Approx. 83 m pipeline per pallet = e.g., 9 laterals of 9.30 m

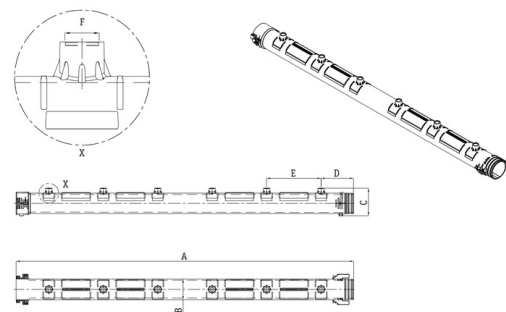
### → AirRex® air header system: fixed price with long-term price maintenance

The AirRex® air header system is available at long-term stable prices. It enables a safe budget calculation.

CAD drawings regarding the AirRex® air header system are available online and support the design of your piping systems and aeration layouts.



Strongly fluctuating and rising raw material prices using the example of nickel



→ To the CAD drawings

The installation of the AirRex® air header system allows a fast and easy realization and saves time and personnel costs. The OTT scope of supply includes the complete set of fastening materials. The modular structure enables a flexible response to changed conditions/measurements on the construction site. We offer online installation instructions, videos, and installation training for your teams or optionally installation or installation supervision.

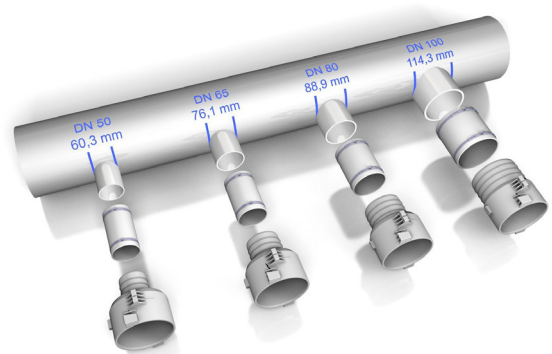
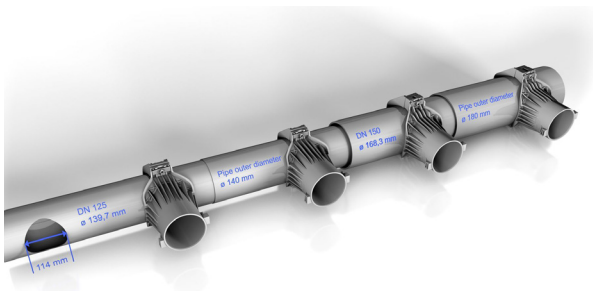
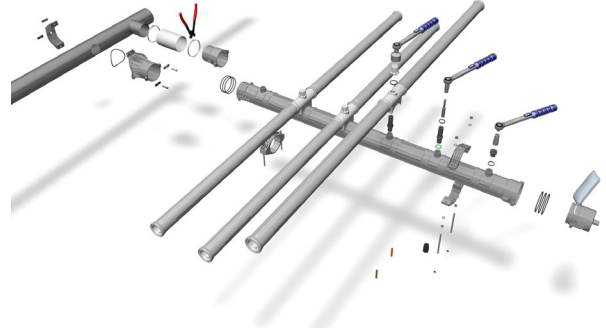
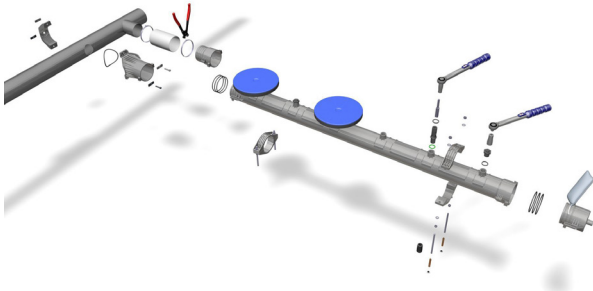


→ To the installation instructions

## AirRex®: Our response to rising stainless steel prices

We create a binding project-related offer for AirRex® diffuser grids as an alternative to your design using stainless steel diffuser grids.

Please produce the downpipe and the main header as usual in stainless steel in your scope of supply. Optionally, we offer this scope additionally.



**The OTT group AirRex® air header system allows a saving of approx. 80 % compared to diffuser grids made of SS 1.4571 stainless steel pipes**